

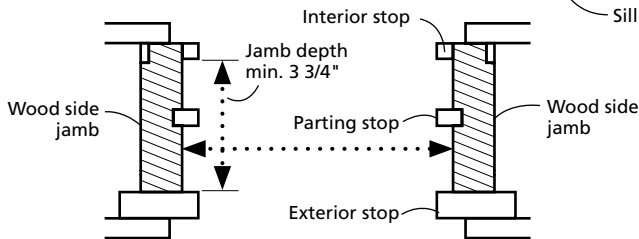
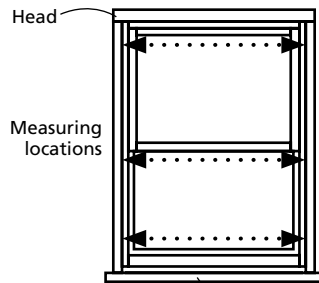
Thank you for choosing a JELD-WEN Wood or Clad Wood Double-Hung Sash Replacement Kit. Please read this document fully before beginning. Consult your local building code official for applicable codes and regulations (particularly regarding minimum egress requirements). The installation of a replacement window will not eliminate installation or maintenance problems with an existing window. Problems such as wood decay and water leaks around the existing frame must be investigated and fixed prior to installing replacement sashes. **Windows produced to user specified dimensions cannot be returned.** Be sure the provided measurements are correct.

### IMPORTANT INFORMATION

- A 3 3/4" wide jamb depth ("opening") must exist for replacement jamb liners).
- If the existing window sill is not level, or if the existing window is not square and plumb, installation may be complicated and additional trim work may be needed during installation. Consider professional installation assistance.
- Use the worksheet on the back to record measurements for each window to be replaced. Use additional copies as needed for more windows.
- Record each window's location in the house on the worksheet in a manner that clearly identifies it.
- If there is more than 1/8" deviation within each set of measurements, investigate the cause and seek professional assistance to correct problems.
- Perform all measurements on each window before going to the next window.
- Individually measure each existing window to be replaced. Do not assume similar looking windows are exactly the same size.
- Measure accurately, to the nearest 1/8".

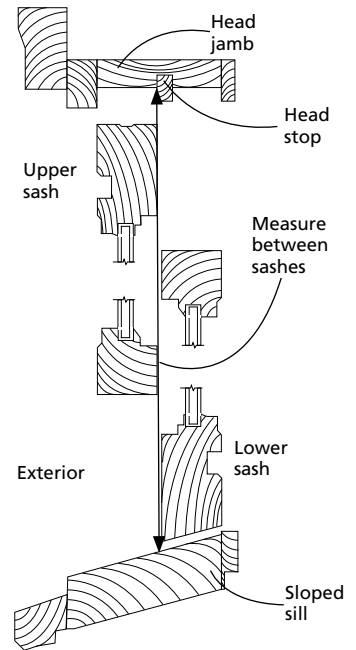
### 1 MEASURE THE WIDTH

- Measure the width between the side jambs (wood surface to wood surface) in three places: top, middle and bottom.
- Temporarily remove jamb liners if necessary and avoid any stops, weatherstrip, balance cords, pulleys, etc.
- Record your measurements.



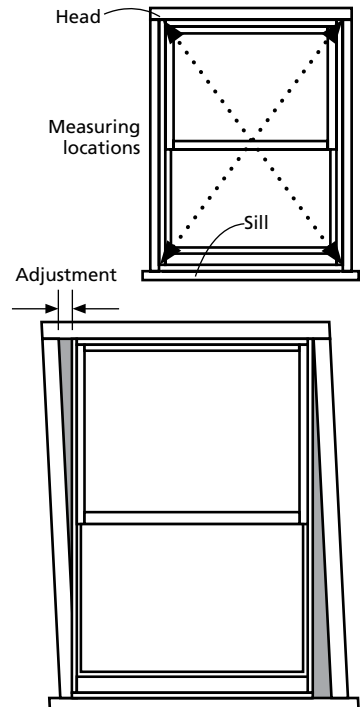
### 2 MEASURE THE HEIGHT


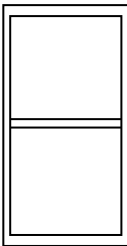
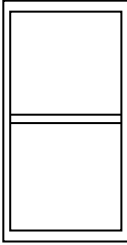
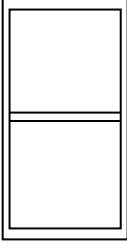
- Slightly open both sashes and thread the tape measure between the sashes.
- At the top, measure directly from the head jamb, avoiding any stops, weatherstrip and liners.
- At the sill, measure to the top of the sloped sill on the exterior side of the lower sash.
- Measure the height at the left side, middle and right side.
- Record your measurements on the attached worksheet.



### 3 CONFIRM SQUARENESS OF EXISTING WINDOW

- Confirm the existing window is square by measuring both diagonals. If the two diagonal measurements differ by more than 1/4", an out-of-square adjustment in the width of the window must be made.
- The adjustment is determined by creating a plumb line (using a level) from each corner to the sill or head. Using a plumb line that falls within the window opening, measure the out of square adjustment.
- Subtract this measurement from the smallest width measurement. Record this adjusted width as the smallest width.



New Window: Location, Style & Grille Pattern		Width Measurements (to nearest 1/8")			Height Measurements (to nearest 1/8")		
Location: <u>Kitchen South Wall</u> Glass options: <input type="checkbox"/> Clear <input type="checkbox"/> Tint <input type="checkbox"/> Texture <input checked="" type="checkbox"/> Low-E <input type="checkbox"/> Neat <input type="checkbox"/> Tempered	 <input type="checkbox"/> No grilles <input checked="" type="checkbox"/> Equal lite pattern <input type="checkbox"/> Standard prairie <input type="checkbox"/> Custom (discuss pattern with dealer)	Top: <u>24 1/8"</u>	Middle: <u>24 1/8"</u>	Bottom: <u>24 1/4"</u>	Left: <u>36 3/8"</u>	Middle: <u>36 1/4"</u>	Right: <u>36 1/4"</u>
Example		Smallest width measurement: <u>24 1/8"</u>			Smallest height measurement: <u>36 1/4"</u>		
		Sill Angle Measurement: <input checked="" type="checkbox"/> 14° sill <input type="checkbox"/> 10° sill <input type="checkbox"/> Other _____					
New Window: Location, Style & Grille Pattern		Width Measurements (to nearest 1/8")			Height Measurements (to nearest 1/8")		
Location: _____ Glass options: <input type="checkbox"/> Clear <input type="checkbox"/> Tint <input type="checkbox"/> Texture <input type="checkbox"/> Low-E <input type="checkbox"/> Neat <input type="checkbox"/> Tempered	 <input type="checkbox"/> No grilles <input type="checkbox"/> Equal lite pattern <input type="checkbox"/> Standard prairie <input type="checkbox"/> Custom (discuss pattern with dealer)	Top: _____	Middle: _____	Bottom: _____	Left: _____	Middle: _____	Right: _____
		Smallest width measurement: _____			Smallest height measurement: _____		
		Sill Angle Measurement: <input type="checkbox"/> 14° sill <input type="checkbox"/> 10° sill <input type="checkbox"/> Other _____					
New Window: Location, Style & Grille Pattern		Width Measurements (to nearest 1/8")			Height Measurements (to nearest 1/8")		
Location: _____ Glass options: <input type="checkbox"/> Clear <input type="checkbox"/> Tint <input type="checkbox"/> Texture <input type="checkbox"/> Low-E <input type="checkbox"/> Neat <input type="checkbox"/> Tempered	 <input type="checkbox"/> No grilles <input type="checkbox"/> Equal lite pattern <input type="checkbox"/> Standard prairie <input type="checkbox"/> Custom (discuss pattern with dealer)	Top: _____	Middle: _____	Bottom: _____	Left: _____	Middle: _____	Right: _____
		Smallest width measurement: _____			Smallest height measurement: _____		
		Sill Angle Measurement: <input type="checkbox"/> 14° sill <input type="checkbox"/> 10° sill <input type="checkbox"/> Other _____					
New Window: Location, Style & Grille Pattern		Width Measurements (to nearest 1/8")			Height Measurements (to nearest 1/8")		
Location: _____ Glass options: <input type="checkbox"/> Clear <input type="checkbox"/> Tint <input type="checkbox"/> Texture <input type="checkbox"/> Low-E <input type="checkbox"/> Neat <input type="checkbox"/> Tempered	 <input type="checkbox"/> No grilles <input type="checkbox"/> Equal lite pattern <input type="checkbox"/> Standard prairie <input type="checkbox"/> Custom (discuss pattern with dealer)	Top: _____	Middle: _____	Bottom: _____	Left: _____	Middle: _____	Right: _____
		Smallest width measurement: _____			Smallest height measurement: _____		
		Sill Angle Measurement: <input type="checkbox"/> 14° sill <input type="checkbox"/> 10° sill <input type="checkbox"/> Other _____					

### ADDITIONAL OPTIONS TO BE CONSIDERED

Be prepared to discuss the following about your order with your dealer:

- |   |   |
|---|---|
| <input type="checkbox"/> Exterior finish:<br><input type="checkbox"/> Primed<br><input type="checkbox"/> Natural<br><input type="checkbox"/> Clad color _____ | <input type="checkbox"/> Jamb liner color<br><input type="checkbox"/> Energy efficiency requirements<br><input type="checkbox"/> Building code requirements |
|---|---|