

DISASSEMBLY AND REASSEMBLY

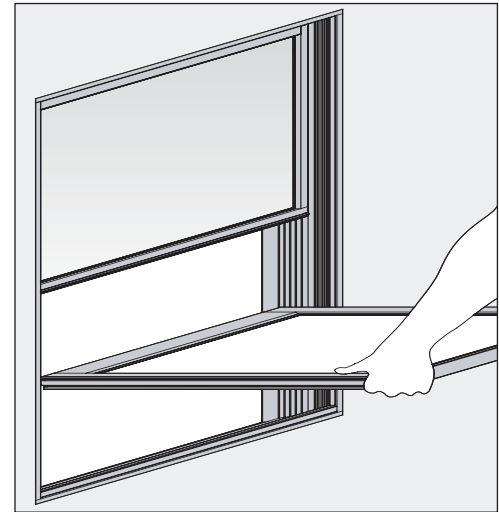
The Summit Sierra Series single-hung drywall window allows builders to carry drywall into the structure through the window. The meeting rail is attached to the frame with brackets, making it removable, and the insulating glass (IG) unit is not glazed. These instructions assume the window has been installed into the structure.

DISASSEMBLE THE UNIT

1. Open the lower sash half way, pull back the retainer clips and tilt the sash horizontally. Lower one corner of the sash and remove.

The upper, fixed insulating glass unit is held in place only by snap beads on the exterior.

2. Remove the snap beads and tilt the insulating glass (IG) unit out. Mark original locations of the setting blocks (plastic pads on the meeting rail) with a pencil.
3. Remove the brackets holding the meeting rail in place. Pull the meeting rail down and remove.
4. Store window components in a protected place to avoid damage.
5. Construct a cover for the sill that will protect the sill against damage (do not penetrate the sill with nails or screws). Protect the rest of the frame as necessary.



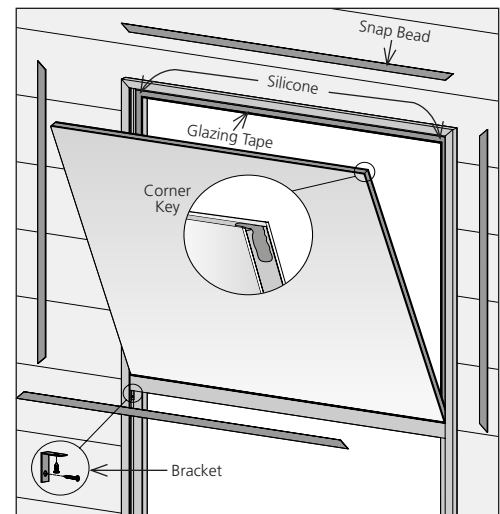
REASSEMBLE THE UNIT

From the interior:

1. Remove the sill cover and all protective materials from the frame.
2. Set the meeting rail in place in the correct orientation and secure with the original brackets. Make sure the glazing tape on the meeting rail and the glazing tape on the frame match up.
3. Replace the lower sash.

From the exterior:

4. Place the setting blocks on the meeting rail in their original spots.
5. Remove the protective film from the glazing tape.
6. At the corners, place a dab of 100% silicone on all four glazing tape butt joints.
7. Orient the glass unit so the corner key is at the top right (the seal around the glass will have a "rough" appearance at the corner).
8. Set the glass unit on the setting blocks without letting the glass touch the glazing tape. Center horizontally. For glass units with grilles, make sure grille pattern and breaks in the horizontal and vertical bars are lined up.
9. Press the glass unit against the glazing tape.
10. Replace the snap beads starting at the bottom and ending at the top of the unit.



Do-It-Yourself

Technician

The advice offered herein can be done by a homeowner with some mechanical aptitude. If you are unsure, it is recommended that you hire a trained service provider such as a competent and licensed construction contractor or building professional. JELD-WEN disclaims any and all liability associated with the use and/or provision of these instructions. Any reliance upon the information or advice is at the risk of the party so relying. The information contained herein may be changed from time to time without notification.

© 2004 JELD-WEN, inc. JELD-WEN and Summit are registered trademarks of JELD-WEN, inc., Oregon USA.

RELIABILITY for real life™

SWD004