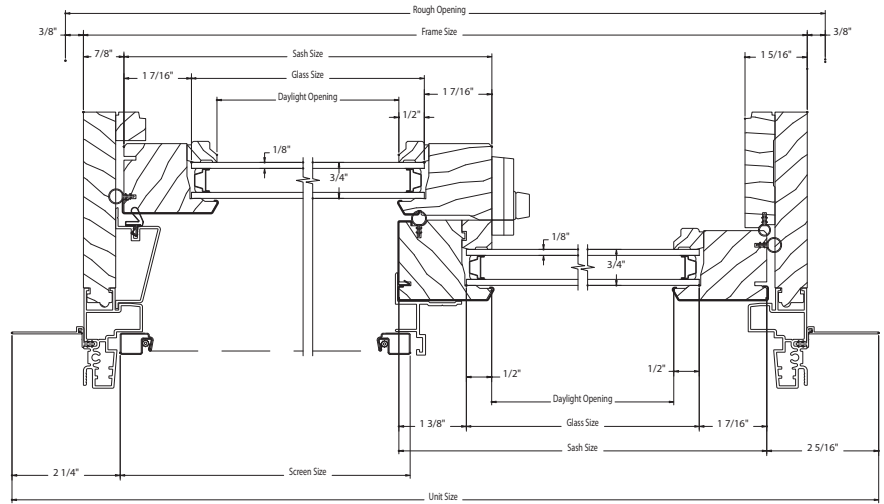
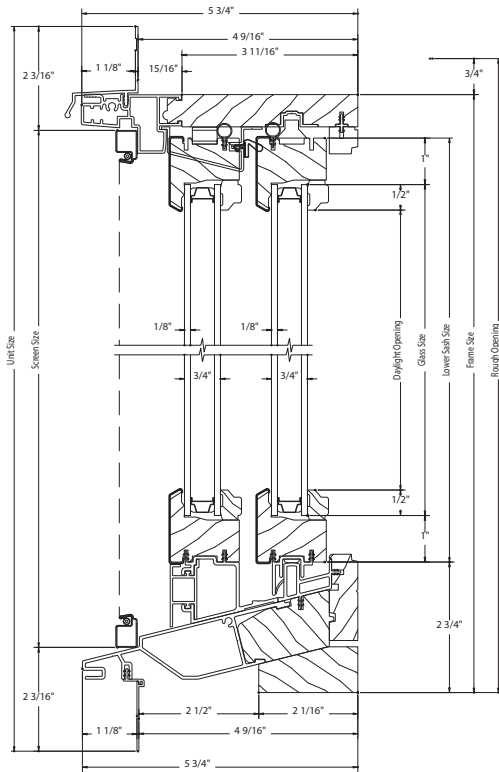
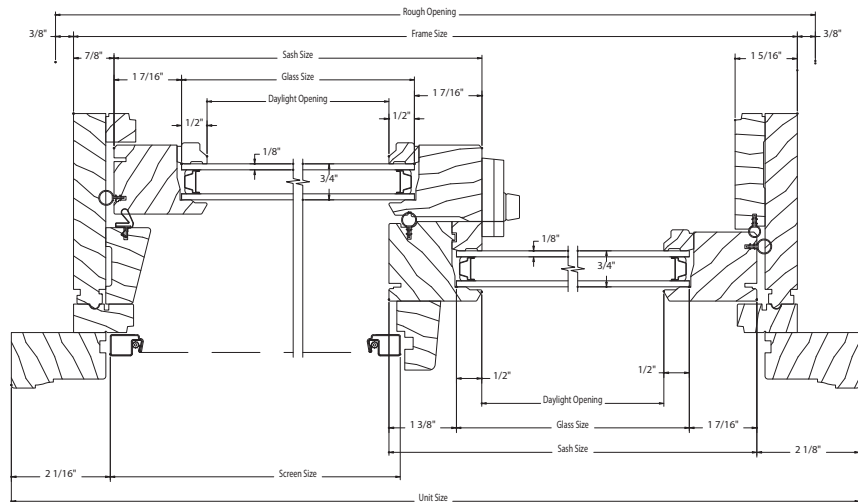
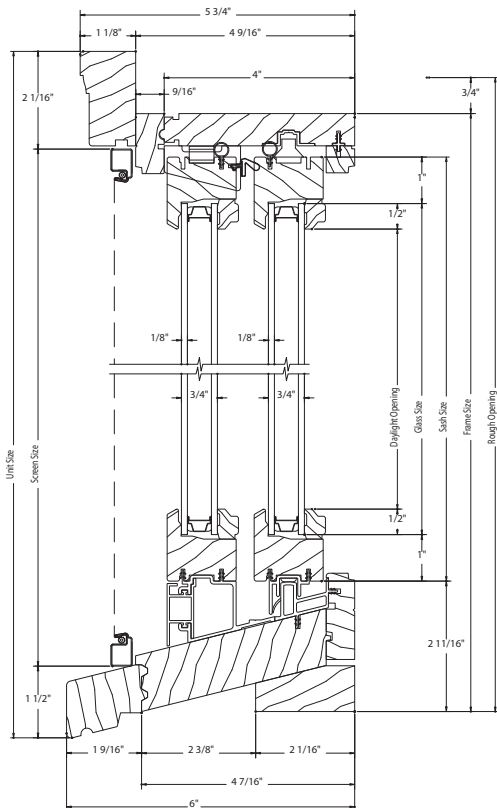


## CLAD SECTION DETAILS AND DIMENSIONS FOR OPERATING UNITS



## WOOD SECTION DETAILS AND DIMENSIONS FOR OPERATING UNITS

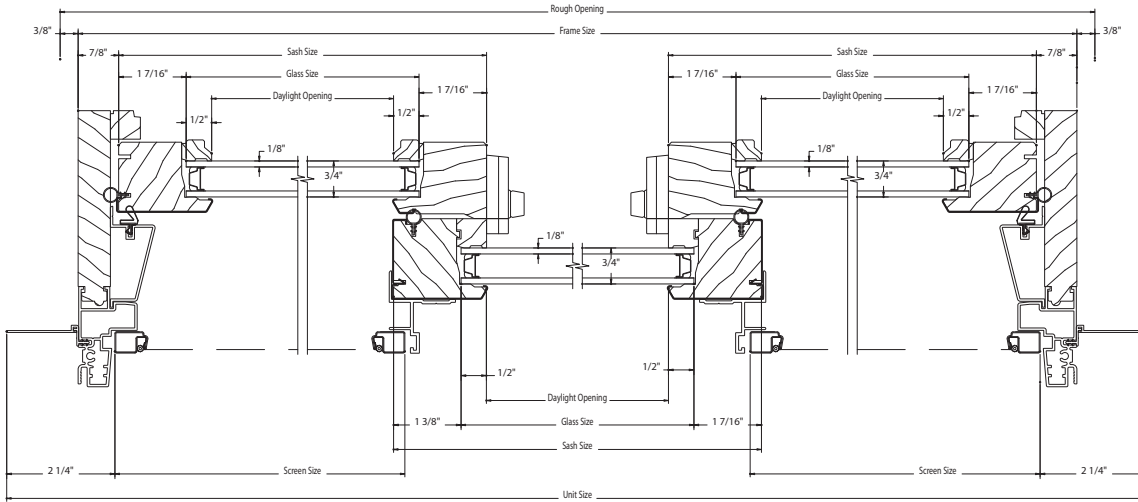


HORIZONTAL GLIDING

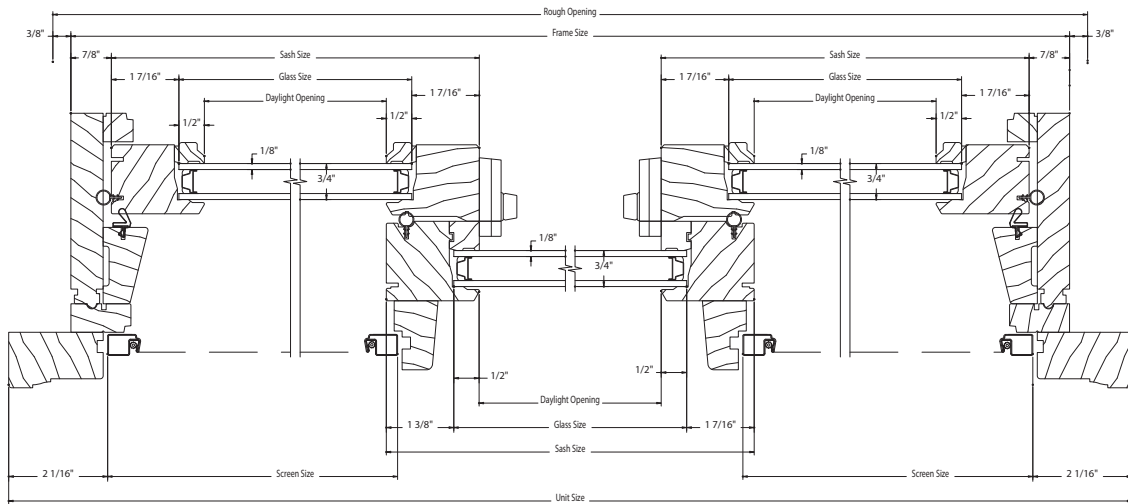
All dimensions are approximate.

# HORIZONTAL GLIDING WINDOWS

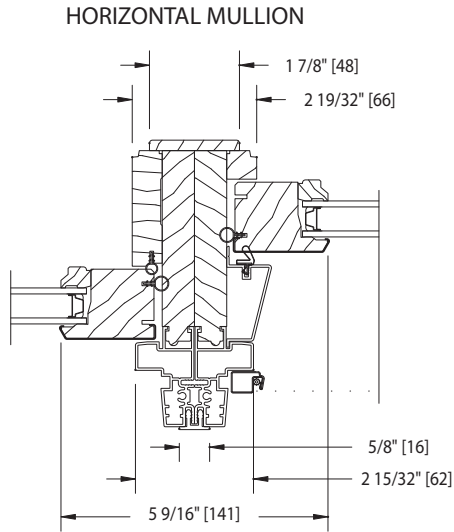
## CLAD SECTION DETAILS AND DIMENSIONS FOR 3-WIDE OPERATING UNITS



## WOOD SECTION DETAILS AND DIMENSIONS FOR 3-WIDE OPERATING UNITS

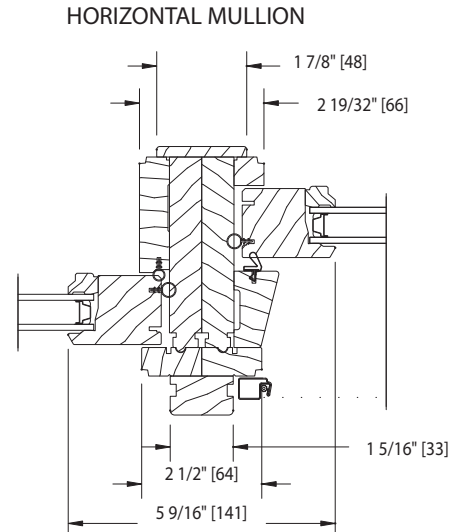


## CLAD & WOOD STANDARD MULLION DETAILS



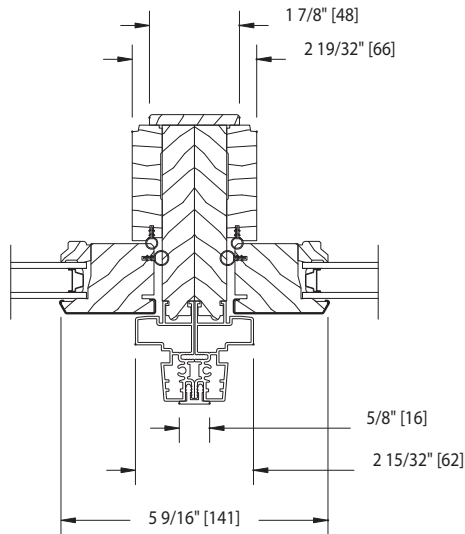
LEFT HAND OPERATOR

LEFT HAND OPERATOR  
OR 3 WIDE WINDOW



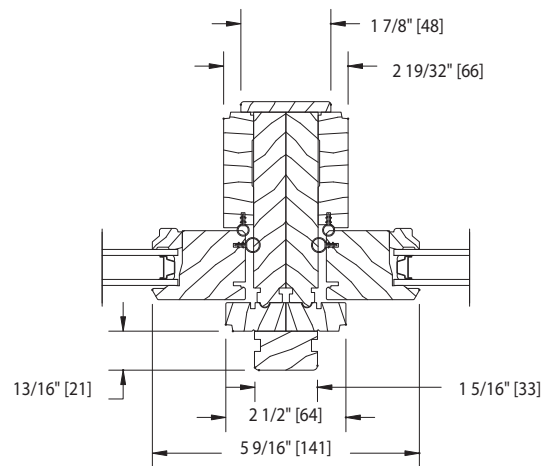
LEFT HAND OPERATOR

LEFT HAND OPERATOR  
OR 3 WIDE WINDOW



LEFT HAND OPERATOR

RIGHT HAND OPERATOR



LEFT HAND OPERATOR

RIGHT HAND OPERATOR

HORIZONTAL GLIDING

# HORIZONTAL GLIDING WINDOWS

## CLAD AND WOOD 2-WIDE WINDOWS

Clad							
M.O. Brickmould	38 3/8"(984)	50 3/4"(1289)	62 3/4"(1594)	74 3/4"(1899)			
M.O. Adams/Flat Casing	41 13/16"(1062)	53 13/16"(1367)	65 13/16"(1672)	77 13/16"(1976)			
<b>Rough Opening</b>	<b>36 1/4"(921)</b>	<b>48 1/4"(1226)</b>	<b>60 1/4"(1531)</b>	<b>72 1/4"(1835)</b>			
Frame Size	35 1/2"(902)	47 1/2"(1207)	59 1/2"(1511)	71 1/2"(1816)			
Daylight Opening	14"(346)[2]	20"(508)[2]	26"(660)[2]	32"(813)[2]			
	25 11/16"(652)					25 11/16"(652)	
	27 1/4"(692)					27 13/16"(691)	
	<b>24 1/4"(616)</b>					<b>24 1/4"(616)</b>	
	23 1/2"(597)					23 1/2"(597)	
	16 7/8"(429)					16 7/8"(429)	
	CHGW3020	CHGW4020					
	WHGW3020	WHGW4020					
						37 11/16"(957)	
	CHGW3030	CHGW4030	CHGW5030	CHGW6030		39 3/8"(995)	
	WHGW3030	WHGW4030	WHGW5030	WHGW6030		<b>36 1/4"(921)</b>	
						35 1/2"(903)	
						28 7/8"(733)	
						43 11/16"(1110)	
	CHGW3036	CHGW4036	CHGW5036	CHGW6036		45 3/8"(1148)	
	WHGW3036	WHGW4036	WHGW5036	WHGW6036		<b>42 1/4"(1073)</b>	
						41 1/2"(1054)	
						34 7/8"(886)	
						49 11/16"(1262)	
	CHGW3040	CHGW4040	CHGW5040	CHGW6040		51 3/8"(1300)	
	WHGW3040	WHGW4040	WHGW5040	WHGW6040		<b>48 1/4"(1219)</b>	
						47 1/2"(1207)	
						40 7/8"(1038)	
						61 11/16"(1567)	
	CHGW4050	CHGW5050	CHGW6050			63 3/8"(1605)	
	WHGW4050	WHGW5050	WHGW6050			<b>60 1/4"(1524)</b>	
						59 1/2"(1511)	
						52 7/8"(1343)	
	35 5/8"(981)	50 5/8"(1286)	62 5/8"(1590)	74 5/8"(1895)		M.O. Brickmould	
	41 5/8"(1057)	53 5/8"(1362)	65 5/8"(1667)	77 5/8"(1972)		M.O. Adams/Flat Casing	
	<b>36 1/4"(921)</b>	<b>48 1/4"(1226)</b>	<b>60 1/4"(1531)</b>	<b>72 1/4"(1835)</b>		<b>Rough Opening</b>	
	35 1/2"(902)	47 1/2"(1207)	59 1/2"(1511)	71 1/2"(1816)		Frame Size	
	14"(346)[2]	20"(508)[2]	26"(660)[2]	32"(813)[2]		Daylight Opening	
						<b>Wood</b>	

HORIZONTAL GLIDING

### ELEVATION SYMBOL LEGEND

M.O. - MASONRY OPENING

VALUES IN ( ) ARE IN MILLIMETER CONVERSIONS

VALUES IN [ ] ARE NUMBER OF DAYLIGHT OPENINGS PER UNIT

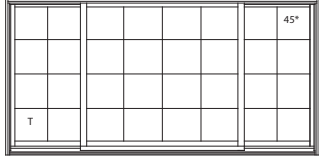
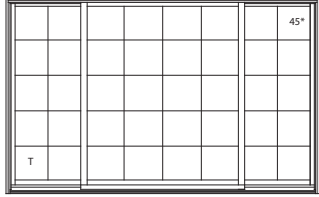
E UNIT MEETS EGRESS REQUIREMENTS FOR IRC CODE. STATE AND LOCAL EGRESS CODES MAY DIFFER. ALWAYS REFER TO LOCAL BUILDING CODES FOR COMPLETE REQUIREMENTS. CHECK WITH LOCAL OFFICIALS TO ENSURE COMPLIANCE BEFORE INSTALLING THE UNIT.

T BASIC UNIT IS NOT AVAILABLE WITH TRIPLE GLAZE, IMPACT RESISTANT, OR SAFETY LAMINATED GLASS.

##\* INDICATES DESIGN PRESSURE (DP) RATING WITH STANDARD GLAZING

Note: Illustrations represent clad units. Masonry opening for clad units does not include trim. Please see dealer for details.

## CLAD AND WOOD 3-WIDE WINDOWS

Clad		Wood	
M.O. Brickmould	98 3/4" (2508)	M.O. Brickmould	98 3/4" (2508)
M.O. Adams/Flat Casing	101 13/16" (2586)	M.O. Adams/Flat Casing	101 13/16" (2581)
<b>Rough Opening</b>	<b>96 1/4" (2445)</b>	<b>Rough Opening</b>	<b>96 1/4" (2445)</b>
Frame Size	95 1/2" (2426)	Frame Size	95 1/2" (2426)
Daylight Opening	20" (508), 46 1/16" (1170), 20" (508)	Daylight Opening	20" (508), 46 1/16" (1170), 20" (508)
49 1/16" (1262)	 <p>CHGW8040 WHGW8040</p>	49 1/16" (1262)	 <p>CHGW8050 WHGW8050</p>
51 1/4" (1302)		51 3/16" (1300)	
<b>48 3/4" (1226)</b>		<b>48 3/4" (1226)</b>	
47 1/2" (1207)		47 1/2" (1207)	
40 7/8" (1038)		40 7/8" (1038)	
61 1/16" (1567)	<p>CHGW8050 WHGW8050</p>	61 1/16" (1567)	<p>CHGW8050 WHGW8050</p>
63 3/4" (1607)		63 3/16" (1605)	
<b>60 1/4" (1530)</b>		<b>60 1/4" (1530)</b>	
59 1/2" (1511)		59 1/2" (1511)	
52 7/8" (1343)		52 7/8" (1343)	

### ELEVATION SYMBOL LEGEND

M.O. MASONRY OPENING  
 VALUES IN ( ) ARE IN MILLIMETER CONVERSIONS  
 T BASIC UNIT IS NOT AVAILABLE WITH TRIPLE GLAZE, IMPACT RESISTANT, OR SAFETY LAMINATED GLASS.

### INDICATES DESIGN PRESSURE (DP) RATING WITH STANDARD GLAZING

Note: Illustrations represent clad units. Masonry opening for clad units does not include trim. Please see dealer for details.